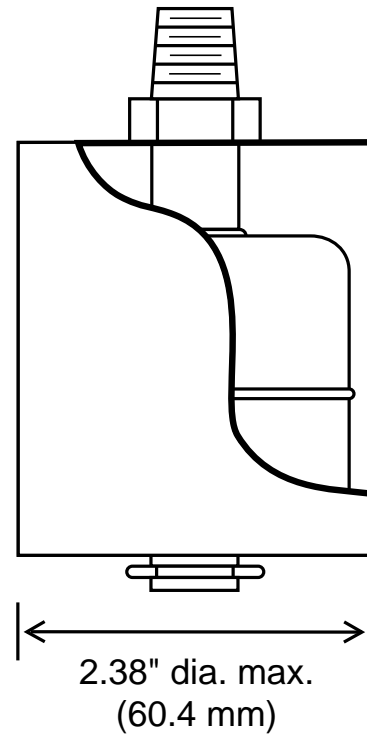
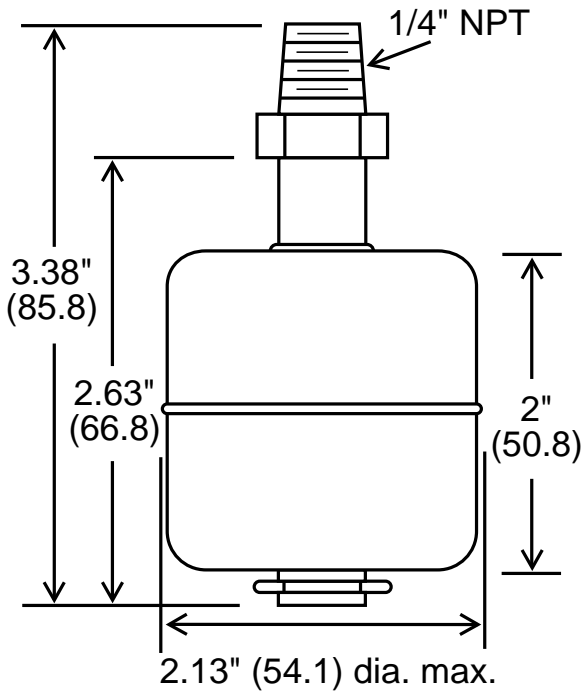




# Liquid Level Switches



**Cutaway Showing Sash Shield Operation**

## DWG No. 1