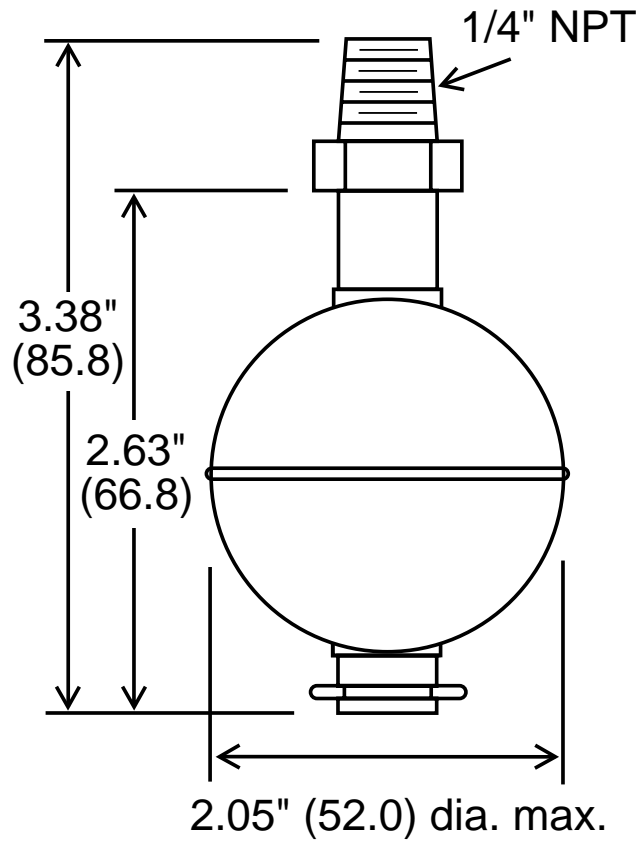




# Liquid Level Switches



## DWG No. 3