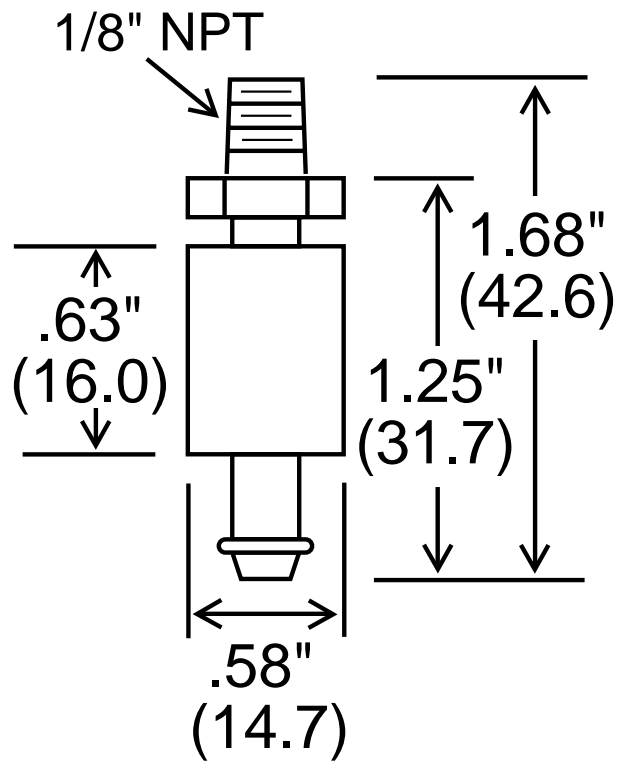




# Liquid Level Switches



**DWG No. 31b**