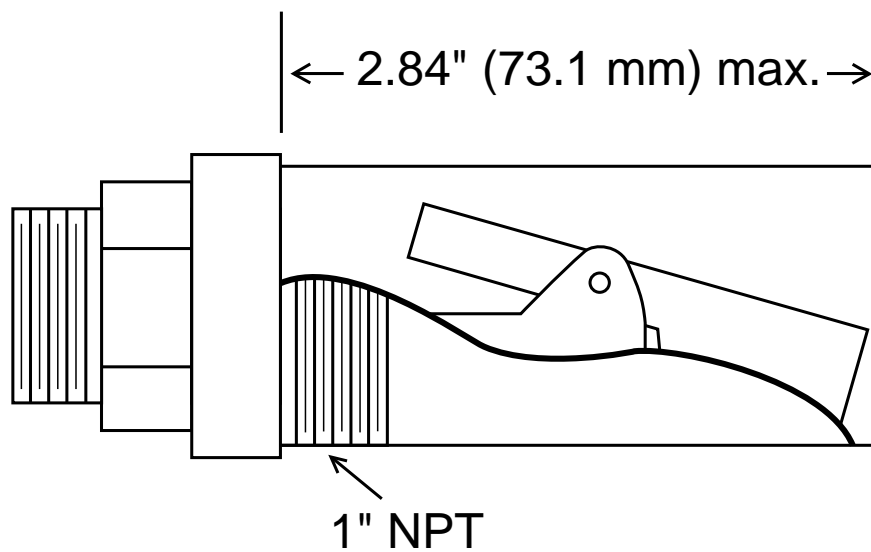
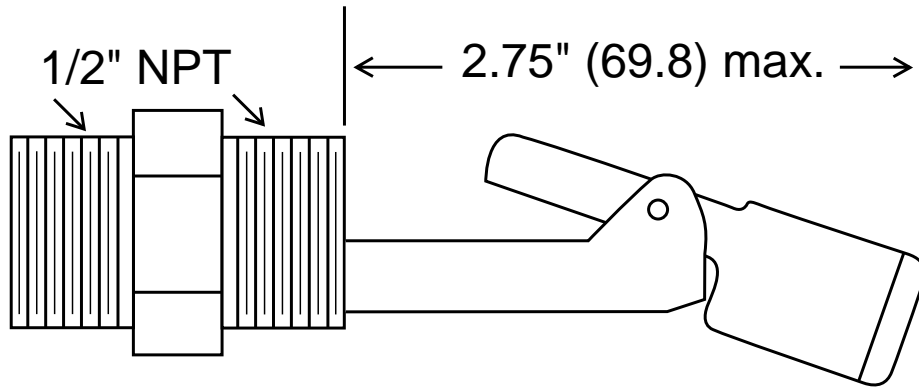




Liquid Level Switches



**Cutaway Showing
Slosh Shield Operation**

DWG No. 32