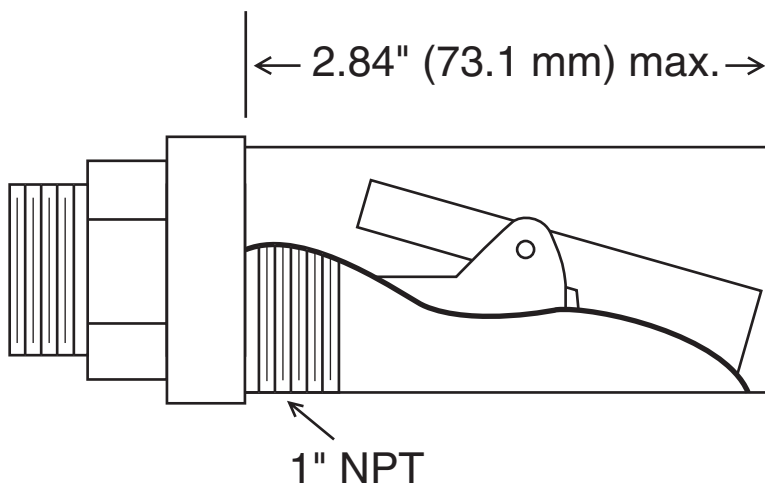
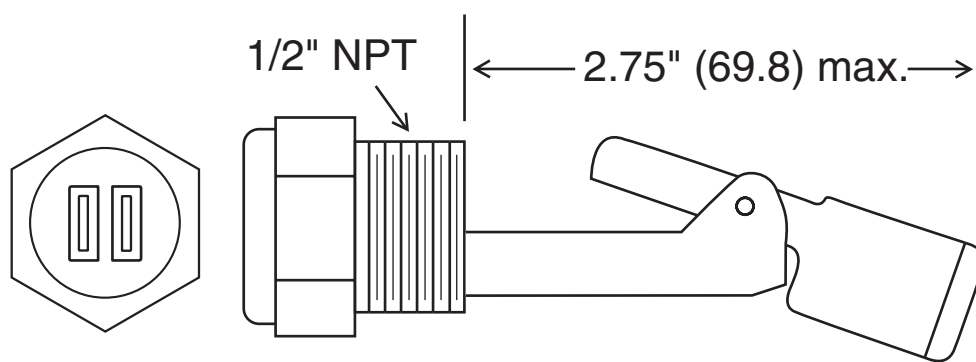




Liquid Level Switches



Cutaway Showing Sash Shield Operation

DWG No. 33