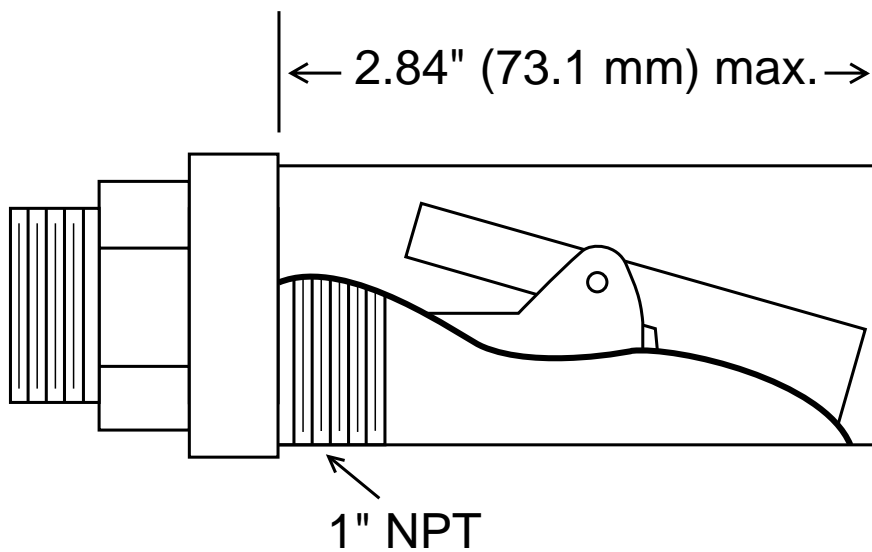
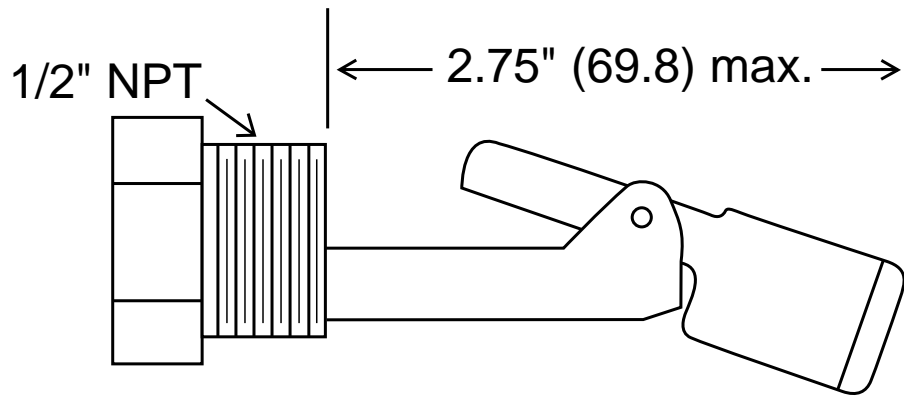




# Liquid Level Switches



**Cutaway Showing  
Sash Shield Operation**

**DWG No. 35**