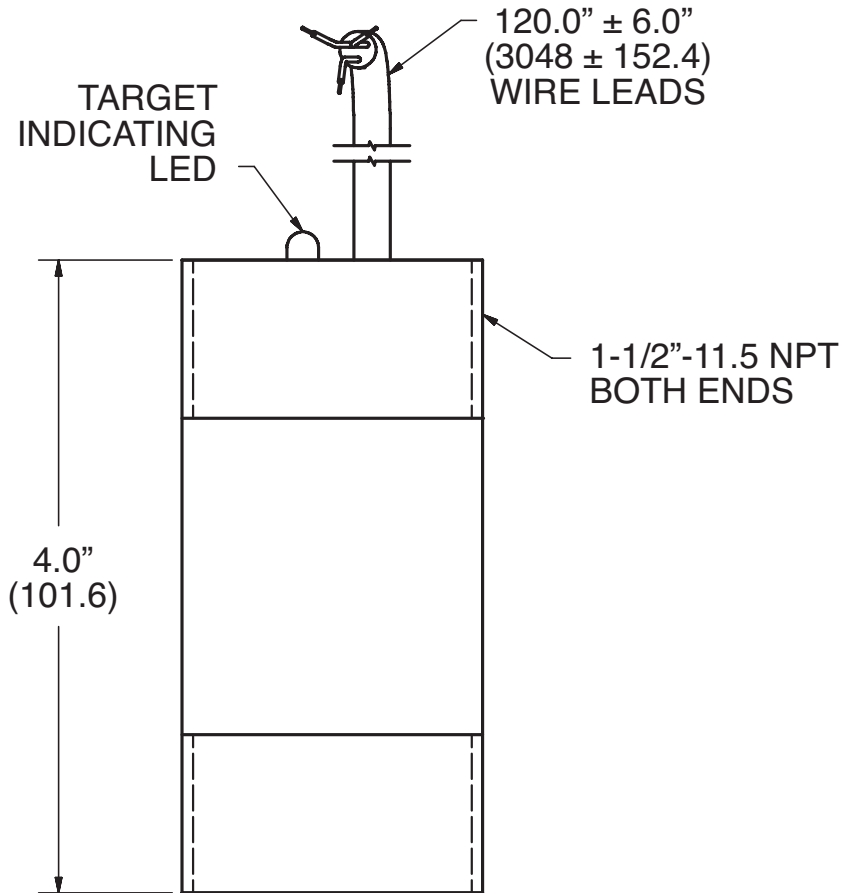




# Non-Contact Level Sensors



**DWG No. NC-13**