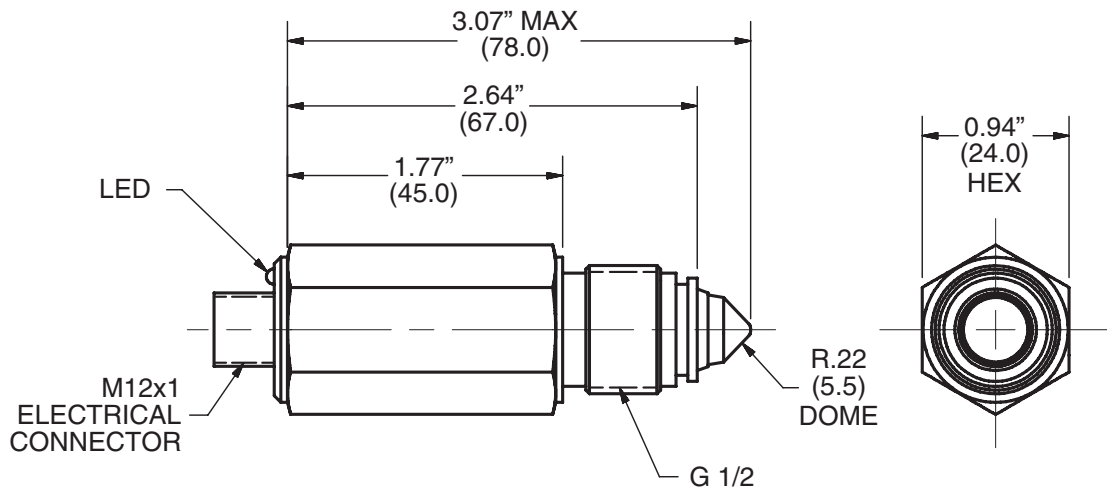




# Optical Level Switches



## DWG No. O-7