



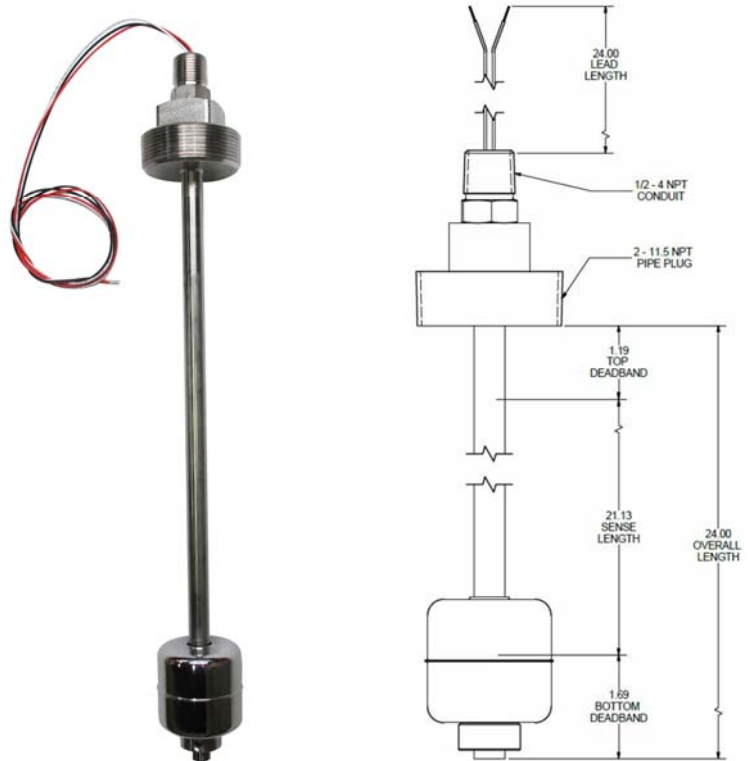
CK5127-13538 - 24in. Float Level Kit

Continuous Level Sensor with Configured Panel Meter

Madison Company's CK5127-13538 kit includes our full sized continuous float level sensor and advanced Process Panel Meter. This kit is preprogrammed for turn key reading within the sensor range by percent, including two programmable relays pre-set for 10% and 90%. They can be field configured for any desired values, and the readout can be displayed in gallons, inches, or % as desired. This durable 316 Stainless Steel model is ideal for applications from chemicals to drinking water. Other custom sensor models and lengths available.

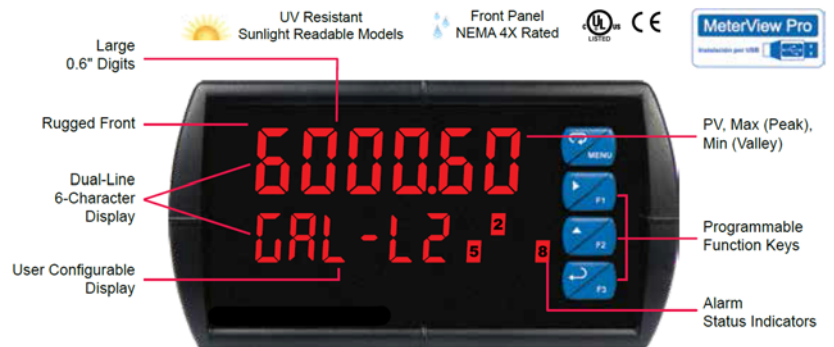
Features: C4651-12803 - Continuous Level Float Sensor

- Durable 316 Stainless Steel Construction
- 1/4" resolution
- 24" Overall length (21.13" Sense Length)
- 2" NPT fittings
- 12-30 VDC Input Power
- 4-20mA Output
- 221°C (105°F) Operating Temperature
- 200 PSI Pressure
- CE, cULus



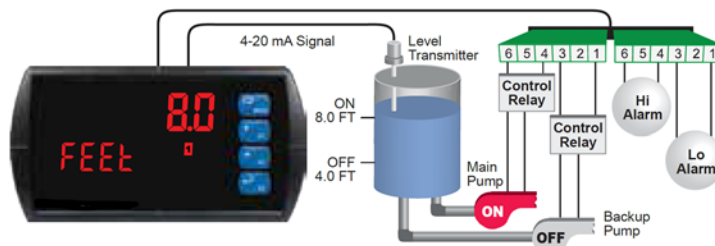
Features: MD4815-110-02 - Panel Meter

- 1/8 DIN Digital Panel Meter with NEMA 4X, IP65 Front
- Dual-Line 6-Digit Display, 0.6" (15 mm) & 0.46" (12 mm)
- 4-20 mA, 0-20mA, 0-5 V, and ±10 V Selectable Inputs
- Standard Input Power 85-265 VAC
- Isolated 24 VDC Transmitter Power Supply
- 2 Relays with Interlocking Capability
- Multi-Pump Alternation Control
- Operating Range: -40 to 65°C (-40 to 150°F)
- Programmable Display, Function Keys
- Free PC-Based MeterView Pro USB Programming Software included



Applications:

- Small tanks greater than 24" deep
- Critical level notification
- Pump Control
- Food and beverage
- Fuels or Waste liquids
- Chemicals and Oils



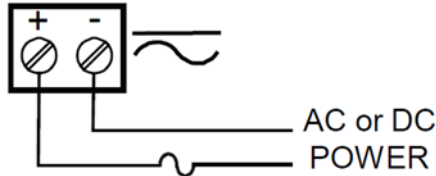
Madison Company

Tel: (203)-488-4477

www.madisonco.com

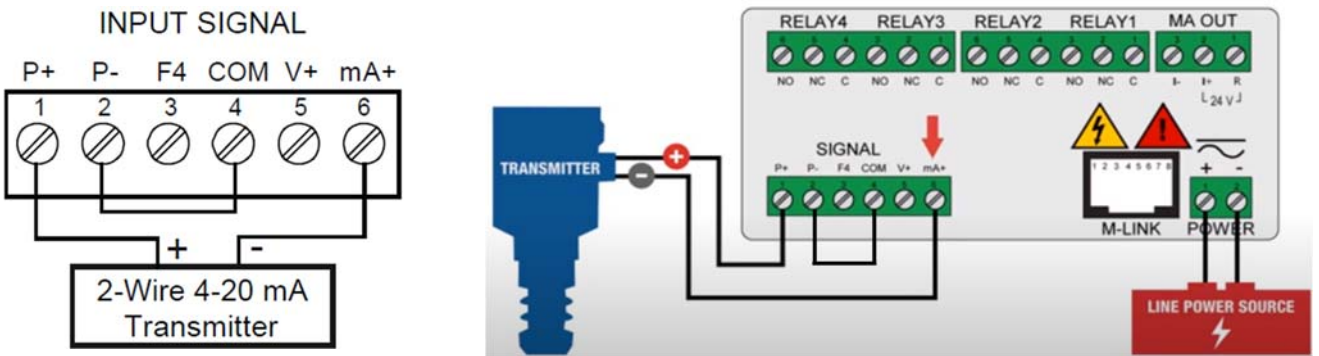
<mailto:info@madisonco.com>

POWER

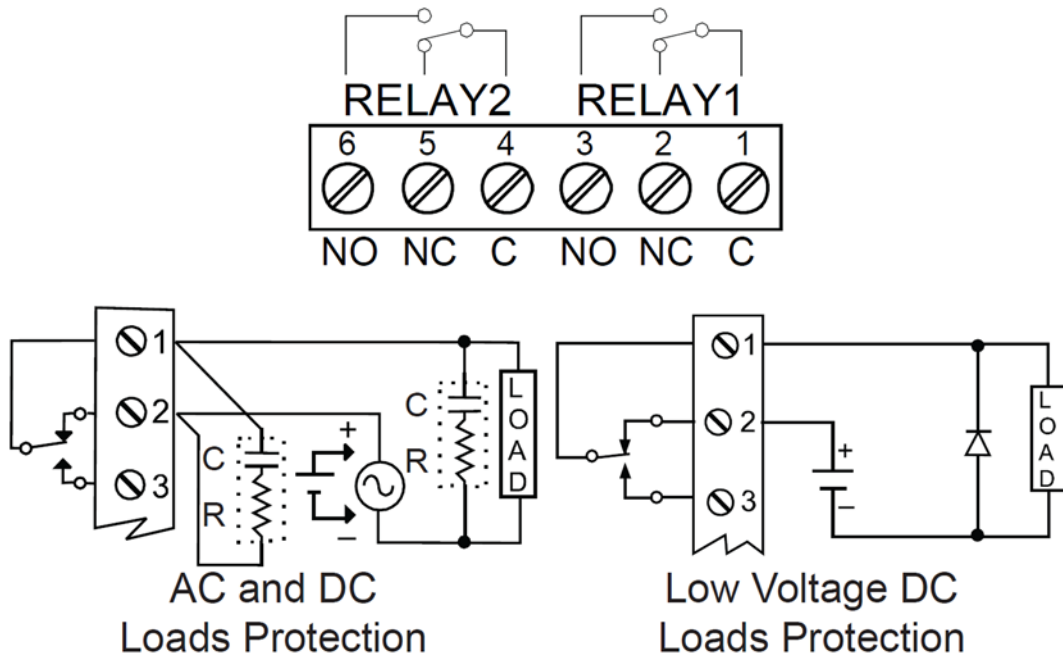


Required External Fuse:
5 A max, 250 V Slow Blow

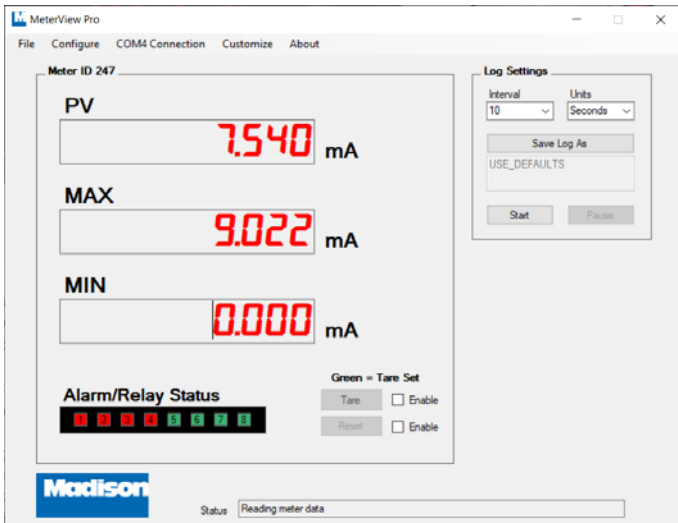
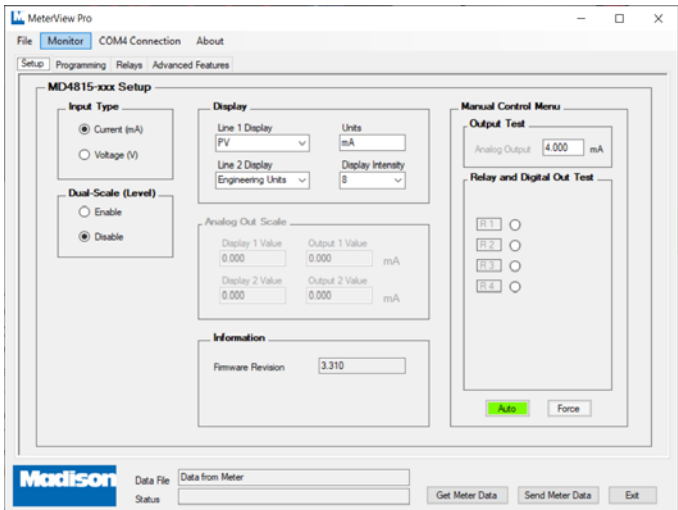
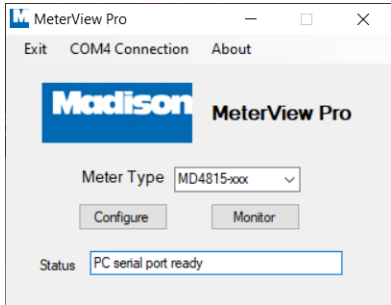
Wiring for a 4-20 mA input using internal power supply.



Wiring for internal relays operation.




METERVIEW PRO SOFTWARE SETUP





FRONT PANEL SETUP




 **Menu Button** – Use this button to access *Programming Mode* and to return to *Run Mode*.

Note: If you think you have made a mistake while programming the meter, use this button to return the meter to *Run Mode* without saving.

 **Right/F1 Button** – Use this button to change the selected digit while inputting a numeric value in *Programming Mode*.

 **Up/F2 Button** – Use this button to increment the selected digit while inputting a numeric value in *Programming Mode*.

 **Enter/F3 Button** – Use this button to access or accept a menu item while in *Programming Mode*.

Front Panel Push Button Programming

The 4-20 mA analog output can be scaled to provide a 4-20 mA signal for any display range selected. No equipment is needed to scale the analog output; simply program the display values to the corresponding mA output signal. The Analog Output menu is used to program the 4-20 mA output based on display values.

