



CK5127-13539 - 12" Mini Float Level Kit

Miniature Continuous Float Level Sensor with Configured Panel Meter

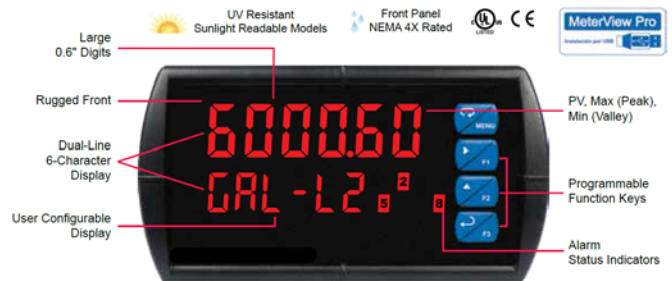
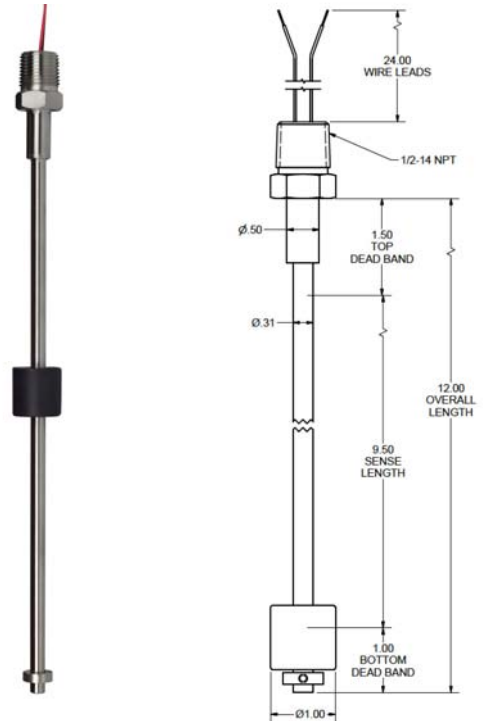
Madison Company's CK5127-13539 kit includes our Mini Continuous Liquid Level Float Sensor and advanced Process Panel Meter. This model can be extended into a tank, via 1/2" NPT fitting, and is ideal for smaller tanks with fuels & oils, waste fluids or machining coolants. This kit is preprogrammed for turn key reading within the sensor range by percent, including two programmable relays set for 10% and 90%. They can be field configured for any desired values, and the readout can be displayed in gallons, inches, or % as desired. Other custom sensor models available.

Features: C4954-13456 - Mini Continuous Level Float Sensor

- Durable 316 Stainless Steel Stem Construction
- Buna-N Float
- 1/4" resolution
- 12" Overall length (9.5" Sense Length)
- 1/2" NPT fitting - Easily extended to deeper depths
- 12-30 VDC Input Power
- 4-20mA Output
- 221°C (105°F) Max. Operating Temperature
- 150 PSI Pressure
- CE, cULus (Pending)

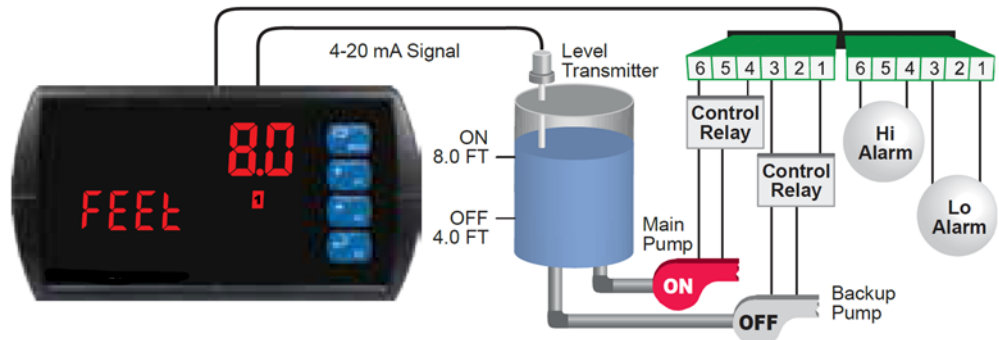
Features: MD4815-110-02 - Panel Meter

- 1/8 DIN Digital Panel Meter with NEMA 4X, IP65 Front
- Dual-Line 6-Digit Display, 0.6" (15 mm) & 0.46" (12 mm)
- 4-20 mA, 0-20mA, 0-5 V, and ±10 V Selectable Inputs
- Standard Input Power 85-265 VAC
- Isolated 24 VDC Transmitter Power Supply
- 2 Relays with Interlocking Capability
- Multi-Pump Alternation Control
- Operating Range: -40 to 65°C (-40 to 150°F)
- Programmable Display, Function Keys
- Free PC-Based MeterView Pro USB Programming Software included



Applications:

- Small fuel/oil tanks
- Various Process liquids
- Chemicals and oils
- Waste waters
- Machining Coolants

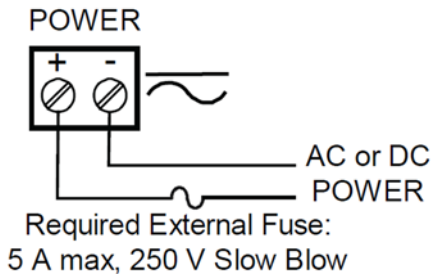


Madison Company

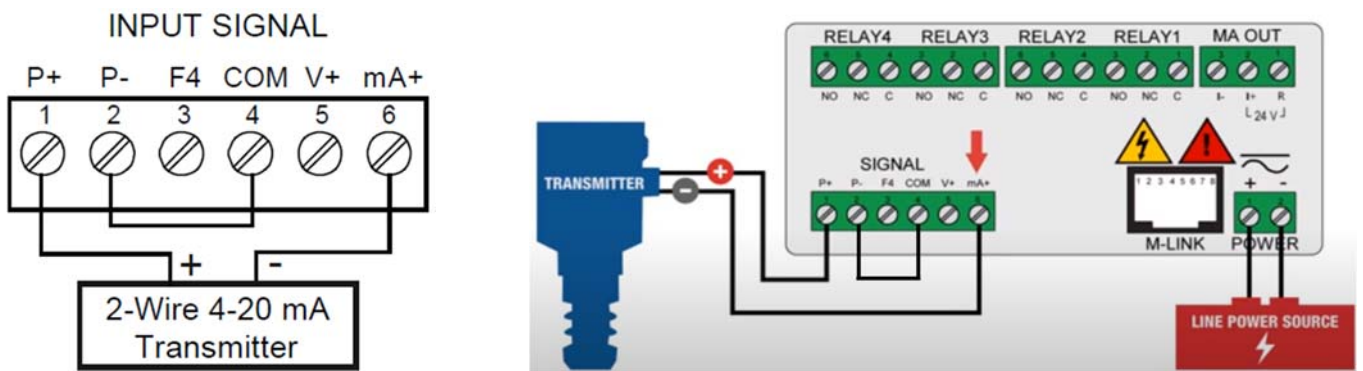
Tel: (203)-488-4477

www.madisonco.com

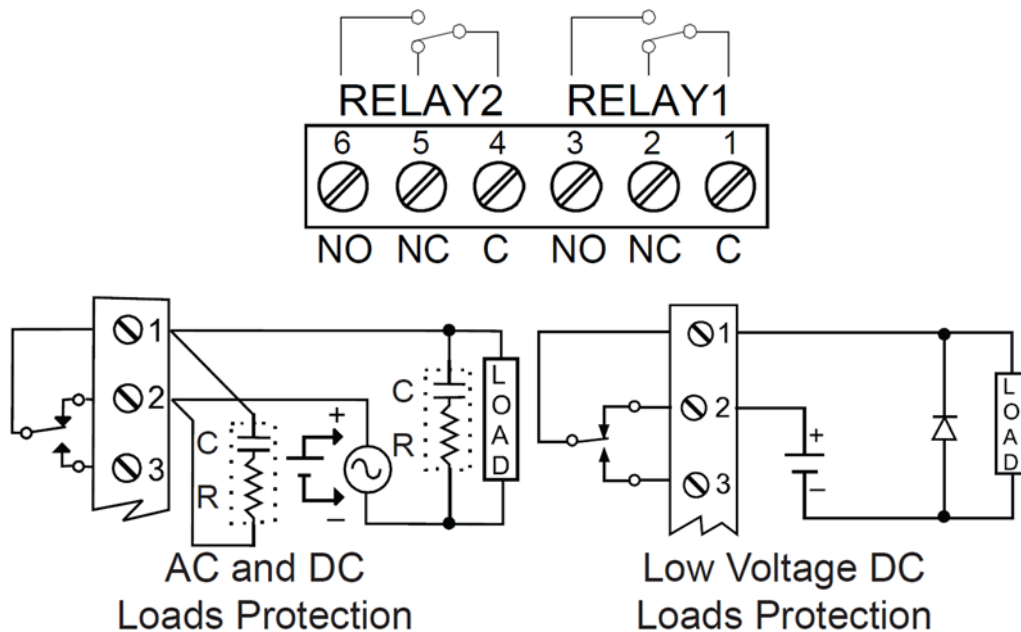
<mailto:info@madisonco.com>



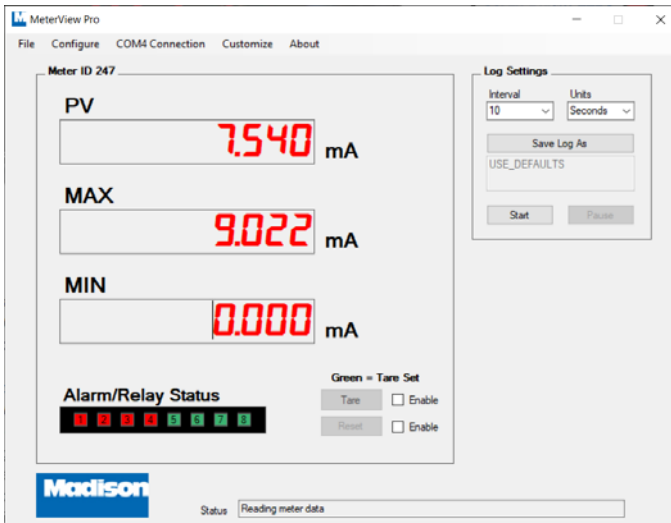
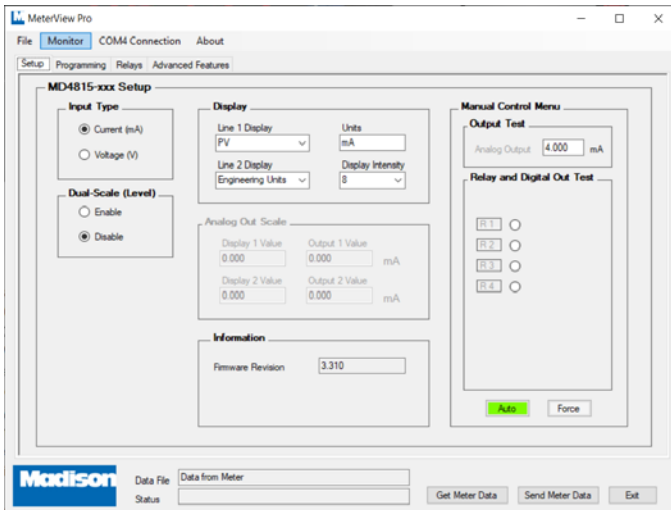
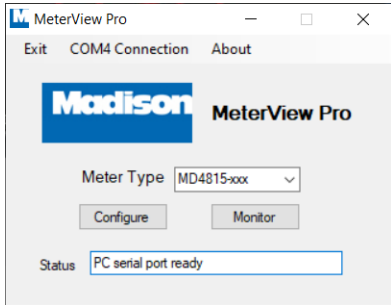
Wiring for a 4-20 mA input using internal power supply.



Wiring for internal relays operation.



METERVIEW PRO SOFTWARE SETUP



FRONT PANEL SETUP



MENU Button – Use this button to access *Programming Mode* and to return to *Run Mode*.

Note: If you think you have made a mistake while programming the meter, use this button to return the meter to *Run Mode* without saving.

Right/F1 Button – Use this button to change the selected digit while inputting a numeric value in *Programming Mode*.

Up/F2 Button – Use this button to increment the selected digit while inputting a numeric value in *Programming Mode*.

Enter/F3 Button – Use this button to access or accept a menu item while in *Programming Mode*.

Front Panel Push Button Programming

The 4-20 mA analog output can be scaled to provide a 4-20 mA signal for any display range selected. No equipment is needed to scale the analog output; simply program the display values to the corresponding mA output signal. The Analog Output menu is used to program the 4-20 mA output based on display values.

