

M5601-HP High-Pressure / 100 Watt Stainless Steel Float Switch

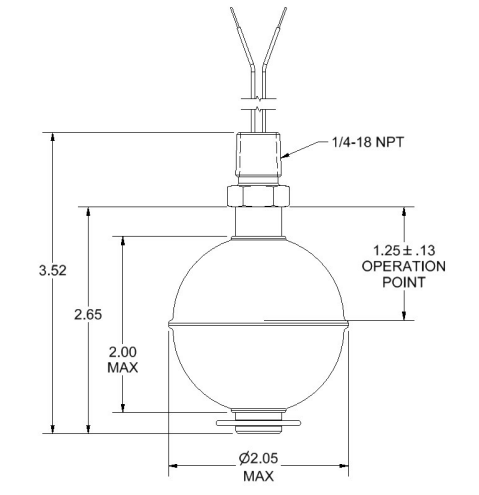
Full-Size Stainless Steel Liquid Level Float Switch

The M5601-HP liquid level float switch is designed for high-pressure applications and can switch loads up to 100 watts. The float switch has a stainless steel stem and float for years of dependable liquid level control. This stainless steel float switch is well suited for corrosive environments, as well as food processing, medical, heating, and cooling applications.



Specifications

M5601-HP – High-Pressure SS 100 W Float Switch	
Stem Material	316 Stainless Steel
Float Material	316 Stainless Steel
Fitting Type	1/4" NPT Pipe Thread
Max. Temperature	200°C (392F)
Max. Pressure	750 PSIG
Float SG	0.70 SG
Switch Rating	100 Watt, 240V max. (AC/DC), SPST
Lead Wires	24", 22 AWG, UL Teflon Insulated (Standard)
Approvals	NSF, UL, CSA



Note: SPST = Single Pole, Single Throw, 100 Watt Reed Switch

Applications

- ◆ High temperature (to 200°C), high-pressure (to 750 PSIG) and corrosive environments
- ◆ Food processing, medical, heating and cooling

Electrical Ratings

Switches are rated for resistive loads. The table below represents the UL guidelines for current (Amperes resistive) at different voltages.

AC Voltage		
100 VA Nominal	at 120 VAC	1.00 amps max
100 VA Nominal	at 240 VAC	0.40 amps max
DC Voltage		
100 Watt Nominal	at 24 VDC	1.00 amps max
100 Watt Nominal	at 120 VDC	0.40 amps max