



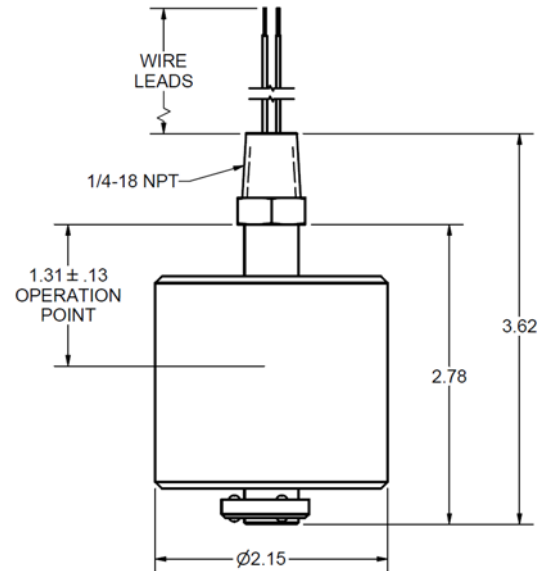
M9500 Full Size Teflon® (PTFE) Float Level Switch

1/4" NPT PTFE Float Switch

The M9500 liquid level float switch is manufactured with high purity PTFE stem and float. This float switch is well suited for corrosive environments and is resistant to build-up of foreign material and sticky fluids. These float switches are ideal for single point level control and can be easily extended to detect critical levels with standard pipe fittings.



Specifications	
M9500	Full Size Teflon Float Switch
Stem Material	PTFE
Float Material	PTFE
Fitting Type	1/4" NPT
Max. Temperature	150° C
Max. Pressure	40 PSIG @ 21° C
Float SG	0.63 SG
Switch Rating	60 Watt, 240V max. (AC/DC), SPST
Lead Wires	24", 22 AWG, Teflon Insulated (Standard)
Approvals	CE
Availability	Call for Availability



Applications

- ◆ Corrosion resistant
- ◆ Low or High Level Switch Indication
- ◆ Corrosive or Sticky Fluids
- ◆ High Purity Chemical Processing

Note: Shipped Normally Closed but is Field settable to be Normally Open or Closed by Flipping the Float

Electrical Ratings

Switches are rated for resistive loads. The table below represents the UL guidelines for current (Amperes resistive) at different voltages.

AC Voltage	
60 VA Nominal	at 120 Vac 0.50 amps max
60 VA Nominal	at 240 Vac 0.40 amps max
DC Voltage	
60 VA Nominal	at 24 Vdc 0.50 amps max
60 VA Nominal	at 100 Vdc 0.20 amps max

Madison Company

Tel: (203)-488-4477

www.madisonco.com

<mailto:info@madisonco.com>