



Sensing Solutions since 1959

# Installation and Maintenance

## R1 Relay

### R1 Relay Installation Instructions:

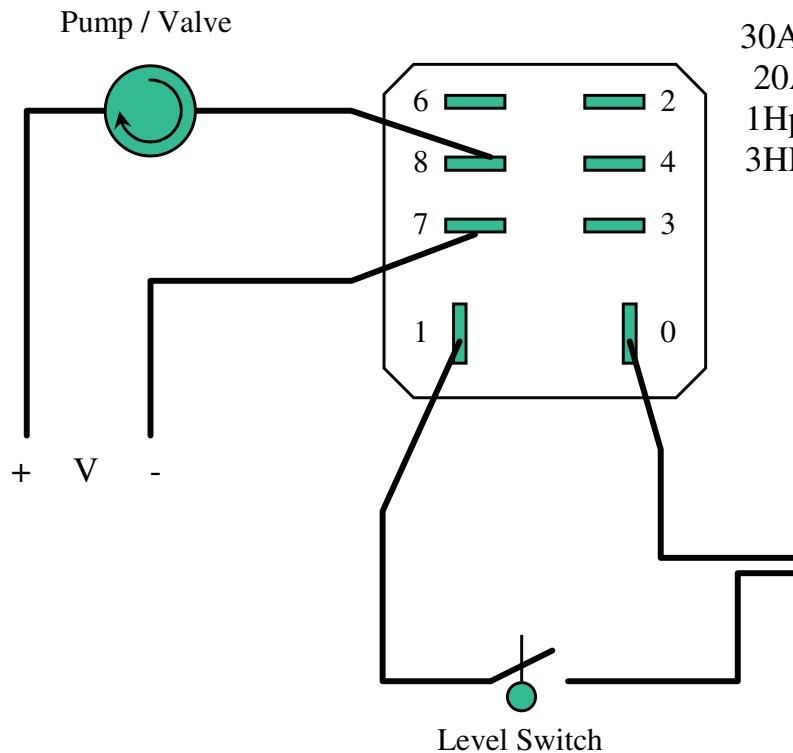
- Apply the input power through the Float Switch and attach to terminals 1 and 0 as shown.
- Connect one line of the switched power to pin 8 or 4. Connect the other power lead through the switched device and to the desired operation terminal (pin 6,7 or 2,3).

### Switched Terminals

7 Normally Closed	3 Normally Closed
6 Normally Open	2 Normally Open
8 Common (6-7)	4 Common (2-3)

### Output Contacts

NO (8-6 & 4-2)	NC (8-7 & 4-3)
30A @ 277 VAC	3A @ 277 VAC
20A @ 28 VDC	3A @ 28 VDC
1Hp @ 120 VAC	
3HP @ 240VAC	



### Input Power

R1-12.....12VDC  
 R1-120....120VAC  
 R1-220....220VAC

Madison Company, Inc.  
 27 Business Park Drive  
 Branford, CT 06405

ISO 9001 Certified

203-488-4477 or 800-466-5383  
 info@madisonco.com  
 www.madisonco.com

