

1/4" Resolution Miniature Continuous Level Sensors

Madison Company offers miniature continuous float level transducers to meet your application needs. Please provide the information requested below so that our Sales & Engineering Department can determine the appropriate design for your application. See Page 2 for additional details.

Company:
 Contact Name:
 Address:
 Phone No.:
 E-mail:

FITTING or MOUNTING Type:

External NPT Mount: 2" 1-1/2" 1"
 Internal NPT Mount: 3/4" 1/2"

Other (Custom Quote):

WETTED MATERIALS: (Stem / Float)

Stainless Steel / Stainless Steel
 Stainless Steel / Buna
 Stainless Steel / Polypropylene

SIGNAL OUTPUTS:

2-wire; 4-20 mA (Standard)
 3-wire; 1-5 VDC
 2-wire; Resistive (100 Ohms* every 1/4" step) **
 *1/10 Watt Rating
 ** Minimum resistance at fitting (float at top position)

WIRE LEADS:

Lead Length: in inches (24" standard)

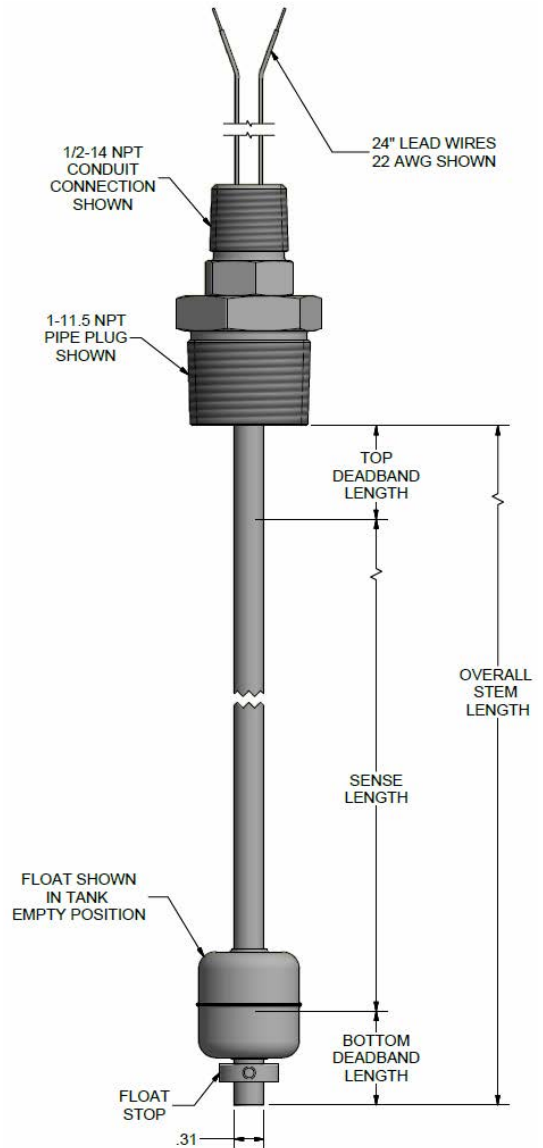
LENGTHS:

Stem Length: in inches
 OR
 Sense Length: in inches (MAX 13")
 Top Dead Band: in inches (MIN: 0.5")
 Bottom Dead Band: 1" inch nominal

Stem Length = Sense Length + Top Dead Band + Bottom Dead Band
 Sense Length = Stem Length - Top Dead Band - Bottom Dead Band

The length must be specified in 1/4" increments.

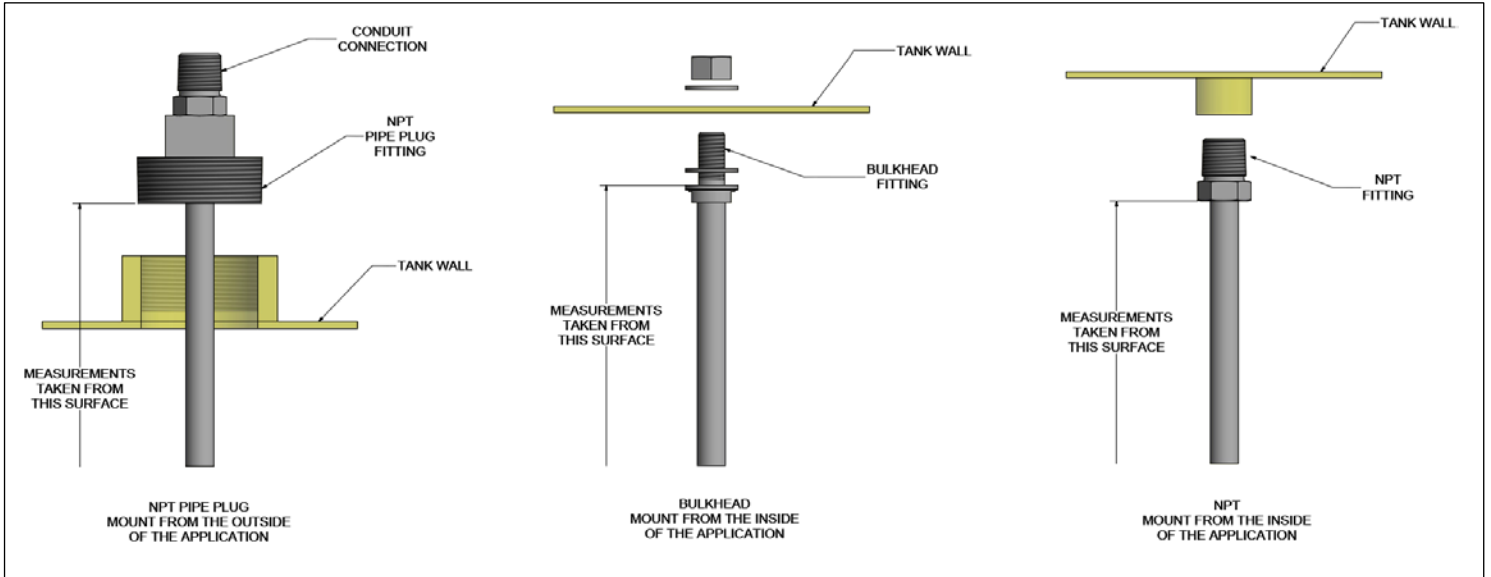
Additional Notes or Requests:



TYPICAL CONFIGURATION

The following information is for reference purposes only and is subject to change. Contact Madison for the latest product technical and sales information.

MOUNTING DETAILS:



FLOAT DETAILS:

