



# TL Series Specification Sheet

## Tape Level Indicators

Madison Company can engineer tape level indicators to meet your application needs. Please provide the information requested below so that our Engineering Department can determine the appropriate design for your application. See Sheet 2 for additional details and specifications.

Customer: \_\_\_\_\_ Contact Name: \_\_\_\_\_

Address: \_\_\_\_\_

Phone No.: \_\_\_\_\_ Fax No.: \_\_\_\_\_ E-mail: \_\_\_\_\_

**MATERIALS**

- Stem:  316 Stainless Steel\*  Brass\*  
 Float:  Stainless Steel\*\*  Polypropylene  Buna-N:

\*SS Stem and Brass Stem are  $\varnothing 1/2"$   
 \*\* Float diameter does not fit all mounting options. Reference Float Specification Table for fit

**MOUNTING**

**Note: Reference Float Specification Table Before Selecting**

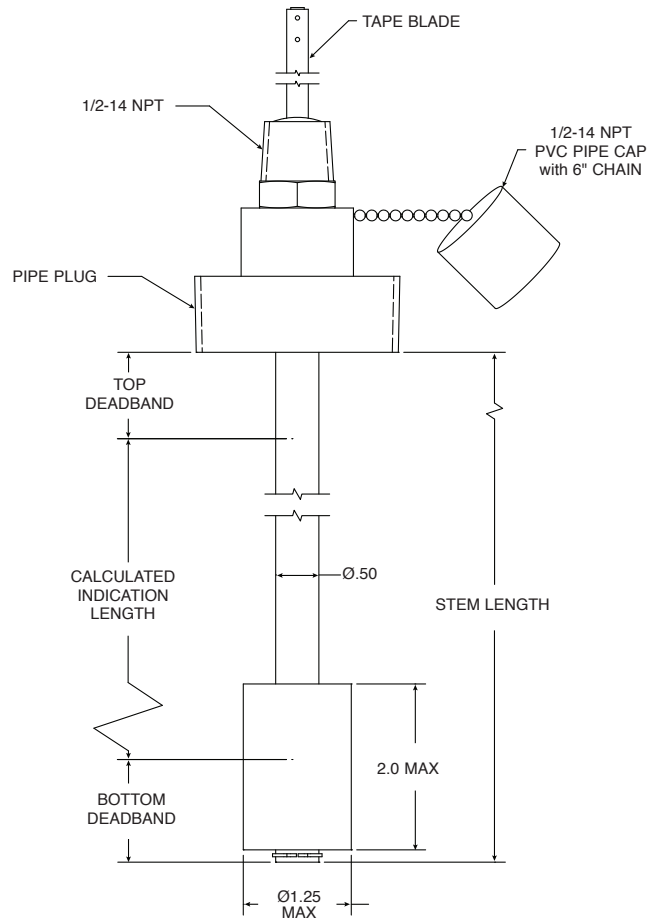
- Pipe Plugs:  $1\ 1/4"$    $1\ 1/2"$    $2"$    
 Pipe Flange:  $2"$    $3"$

Other mounting configuration   
 (please describe below)

**LENGTHS**

- Stem Length: (10" to 72" standard) \_\_\_\_\_  
 Minus Top Deadband: (See Deadband Table) - \_\_\_\_\_  
 Minus Bottom Deadband: (See Deadband Table) - \_\_\_\_\_  
 Equals Calculated Indication Length: = \_\_\_\_\_

Deadband Table		
Float Material	Top Deadband	Bottom Deadband
Buna-N	1"	1.188"
Polypropylene	0.5"	1.75"
Stainless Steel	1"	1.5"



Sensor solutions for today and the future™

### Madison Company

27 Business Park Dr., Branford, CT 06405  
 800-466-5383 • 203-488-4477 • Fax: 203-481-5036  
 www.madisonco.com • E-mail: info@madisonco.com

**NOTES**

---

---

---

---

---

---

---

---

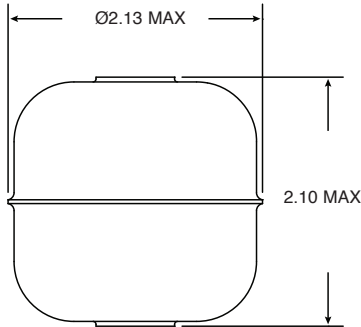


# TL Series Specification Sheet

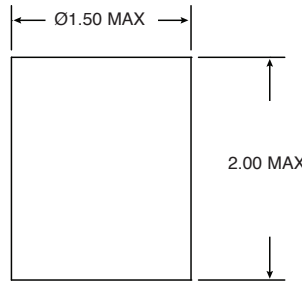
## Tape Level Indicators

The following information is for reference purposes only and is subject to change by the factory. Contact the factory for updated product drawings and literature.

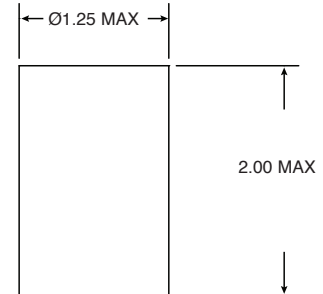
FLOAT DETAILS



STAINLESS STEEL FLOAT



POLYPROPYLENE FLOAT



BUNA-N FLOAT

TL

FLOAT SPECIFICATION TABLE

Float Material	Float Specific Gravity	Maximum Pressure	Maximum Temperature	Pipe Plugs			Flanges	
				1-1/4"	1-1/2"	2"	2"	3"
Buna-N	0.45	150 PSIG	105°C	Available	Available	Available	Available	Available
Polypropylene	0.75	100 PSIG	105°C	N/A	Available	Available	Available	Available
Stainless Steel	0.54	200 PSIG	200°C	N/A	N/A	Available	Available	Available



Sensor solutions for today and the future™

### Madison Company

27 Business Park Dr., Branford, CT 06405  
 800-466-5383 • 203-488-4477 • Fax: 203-481-5036  
 www.madisonco.com • E-mail: info@madisonco.com

NOTES

---

---

---

---

---

---

---